

PRESSURE and VACUUM GAUGES

A range of gauges for pressure and vacuum applications are available from All-Star Products. A variety of gages can be shipped with your blower order, or if you provide us with any special requirements or features you need, the gauge can be ordered from our supplier. The three standard gauges available from stock are show below.

- 2.5" diameter face
- Black painted steel case
- Accuracy +/- 1.5% full scale
- Brass movement
- Recalibration screw on dial face
- Acrylic window
- Copper alloy wetted parts
- 1/4" NPT bayonet conection

PRESSURE



- 2.5" Diameter face
- 304 Stainless steel case
- Accuracy 2-1/2% full scale
- Copper alloy wetted parts
- Polycarbonate window
- Glycerin filled

PRESSURE



- Single scale
- 2.5" Diameter face
- 304 Stainless steel case
- Accuracy 1% full scale
- Brass/bronze wetted parts
- 1/4" Bayonete connection
- Laminated safety glass lens
- Water tight case
- Glycerin filled

VACUUM

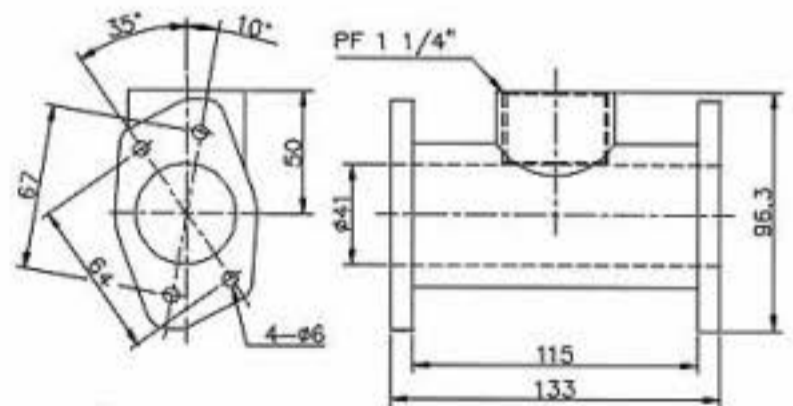
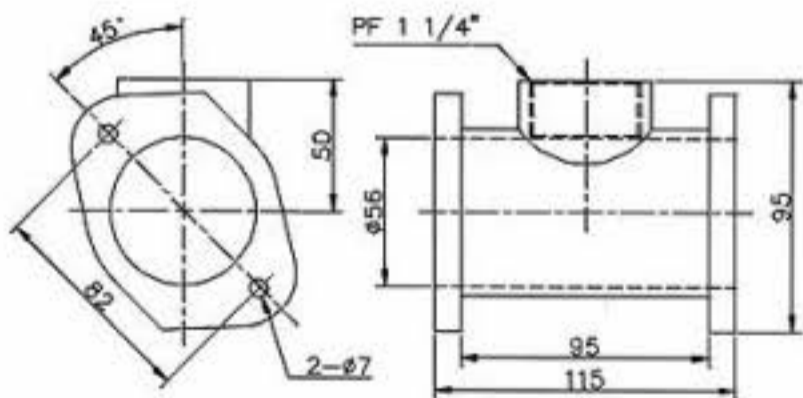


RELIEF VALVE T-FITTINGS

A T-fitting is available from All-Star which simplifies attaching a relief valve to the regenerative blower. This product can be used for either a vacuum or pressure application. The T-fitting flanges mate exactly with the blower flanges and is attached with bolts.

Once the T-fitting is attached to the blower, the All-Star relief valve can be inserted.

Two T-fittings, a 1-1/2" and 2" diameter connection ports are available.



BEARING DATA

Types of Bearings

Several types of bearings are used in All-Star blowers, depending on the blower model, these include sealed, double shield, single shield-single open and open bearings. The type of bearing used in the blower you have can be identified by the markings that follow the bearing number on the outside of the bearing. These markings are:

Double shielded bearing	"ZZ"
Single shield, single open	"Z"
Open and sealed bearing	No "Z" marking

The factory supplied bearing lubricant is Mobil Polyrex EP2 with a melt point of 385 Deg F. This high temperature lubricant or a compatible grease should only be used.

Model	Impeller Side Bearing	Type	Max Deg F	Motor Fan End Bearing	Type	Max Deg F
RB1 Series	6202zz	Shield	285	6201zz	Shield	285
RBH2 Series	6203zz	Shield	385	6202zz	Shield	385
RBH3 Series	6204z	Shield Open	385	6004zz	Shield	385
RBH4 Series	6205z	Shield Open	385	6204zz	Shield	385
RBH6 Series	6206z	Shield Open	385	6304zz	Shield	385
RBH8 Series	6207zz	Shield Open	385	6207zz	Shield	385
RBH9 Series	6309zz	Shield	385	6209zz	Shield	385
RBH23 Series	6203zz	Shield	385	6202zz	Shield	385
RBH33 Series	6304zz	Shield	385	6202zz	Shield	385
RBH43 Series	6205zz	Shield	385	6205zz	Shield	385
RBH63 Series	6205zz	Shield	385	6205zz	Shield	385
RBH63 Series RBH64 Series	6206zz	Shield	385	6207zz	Shield	385
RBH83 Series	6207zz	Shield	385	6207zz	Shield	385
RBH84 Series	6207zz	Shield	385	6209zz	Shield	385

Note: Bearing sizes, types and lubricant are subject to change and may be different from the bearings in your particular blower model.

PRESSURE and VACUUM AIR FILTERS

A full range of standard and special air filters are available from All-Star Products. A sample of these filters are shown below. A large variety of performance and features are available so if you cannot find a filter to meet your requirements, please contact All-Star for any assistance.

Selection steps to follow to help with your selection.

- Select a filter that has a flow rating that is equal to or greater than the blower's rated flow
- Select a filter with a threaded connection that is equal to or larger than the blower connection
- Select a filter that can remove the smallest particle size prevalent in the environment

ENCLOSED AND OPEN PRESSURE FILTERS



REPLACEMENT PRESSURE AIR FILTER ELEMENTS



FILTER GAUGE



Normal Clean Filter

Remaining Capacity

Time to Replace

A filter gauge that monitors and indicates when the filter should be emptied and washed (polyester) or replaced (paper).

T-TYPE VACUUM FILTER



Small compact inlet vacuum filter, 2 micron, 99% efficiency, full drawn one piece cannister large dirt holding capacity and easy cleaning.

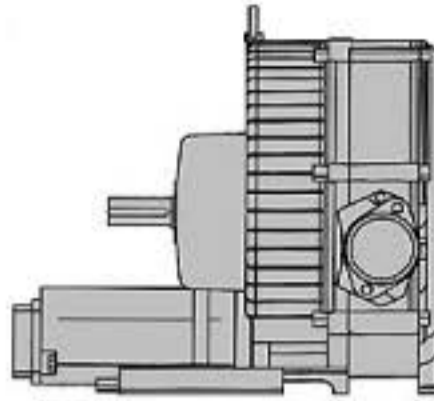
INLINE VACUUM FILTER



Compact design, top mounted element for extended life, cast aluminum top, carbon steel "drop down" bucket for easy cleaning and replacement

MOTORLESS BLOWERS

**Typical Blower
2-Stage
Model RB H43 Series**



Motorless blowers are available on most All-Star regenerative blowers. These blowers can be used in applications where special motors, v-belt drives, PTO or other types of drive inputs are required.

In addition to the motorless blower, All-Star can package a complete system for v-belt connections. The packages include the motor, blower, v-belts, sheaves, belt guard, air filter, relief valves and other accessories. Contact All-Star for additional information.

SILENCERS

The sound rating of the standard All-Star regenerative blower is below OSHA's 85 db(A) maximum exposure limit for 8 hour exposure. The sound level for each blower model varies so the rated sound level is published on the product data page for each blower model.

In applications where additional noise reduction is desired, two alternatives are available from All-Star Products. First is a full line of intake air filter-silencers. A different air baffling system is used which results in an additional 5-10 db noise reduction. A tubular sound reduction housing is available with sound reduction material inside. This product can be attached to either the intake or discharge blower ports. This method will provide an additional 5-20 db noise reduction.

Call All-Star for additional information and details on these two products.

TUBULAR SILENCERS



SILENCER FILTERS



CHECK VALVES



A full line of check valves are available from All-Star Products. The check valve shown above has standard male NPT connections. These valves are tested and inspected to meet design specifications. The above valve has an aluminum body (ASTM B241) with aluminum discs (ASTM B209) and forged aluminum 6061 wing support rated for a maximum pressure of 50 psig.

Contact All-Star for sizing, selection, optional materials and pricing.

BLOWER MATERIALS RATED TEMPERATURES

The components used in All-Star regenerative blowers have the following temperature ratings

Standard RBH Series blowers

Blower end bearing lubricant	-30 to 380 Deg F
Blower seal	Viton material to 500 Deg F
Motor insulation Class H	To 356 Deg F
Motor ambient	To 104 Deg F
Intake flow rating based on SCFM	67 Deg F
Aluminum components	300 Deg F
Temperature Rise	Normal temperature rise is 200 to 210 Deg F, depending upon the blower size and the load condition.

Due to the possibility of operating the blower at these temperatures, the blower needs to be placed where it cannot be touched or contacted.

Schedule 40 PVC discharge piping should not be connected directly to the discharge blower connection. A section of galvanized steel schedule 40 pipe should be connected to the blower before the PVC piping. This allows the discharge air to cool down before reaching the PVC pipe.

Contact All-Star Products for any application above the above standard operation temperatures to insure satisfactory performance.
