



Model	Voltage	HP	kW	Open SCFM	Pressure "H2O	Sound Level	Net Weight	
							kg	lbs
TB5-03	3/60 208-230-460	5	3.7	1725	15.7	100 db(A)	74	164

*Refer to curves below for detailed performance data. Performance data and product specifications are subject to change without prior notice. Actual performance may vary by ±10%.

STANDARD FEATURES

- Housing - Aluminum
- Impeller - Aluminum, dynamically balanced
- Direct drive impeller
- Shock absorbing mounting base
- Quiet operation - below OSHA limits
- Inlet & outlet silencers included
- Motor shaft seal standard
- IP 54 TEFC 2 pole squirrel cage ac motor
- 40 Deg C ambient
- Class H insulation 1.15 service factor
- Voltage
 - 1/60/115/230 1/50/230
 - 3/60/208-230/460 3/50/220/380



TECHNICAL DATA

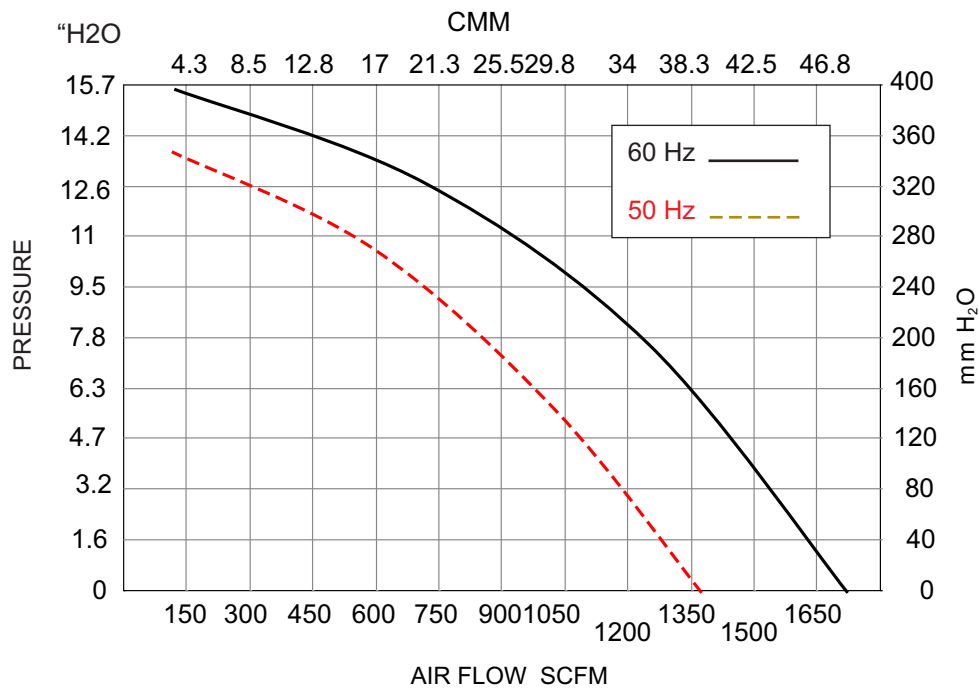
Available online www.all-star-usa.com

- Performance Temperature Rise Curves
- AutoCad files
- Parts List
- Full amperage

Registered and approved by one or more of these standards agency

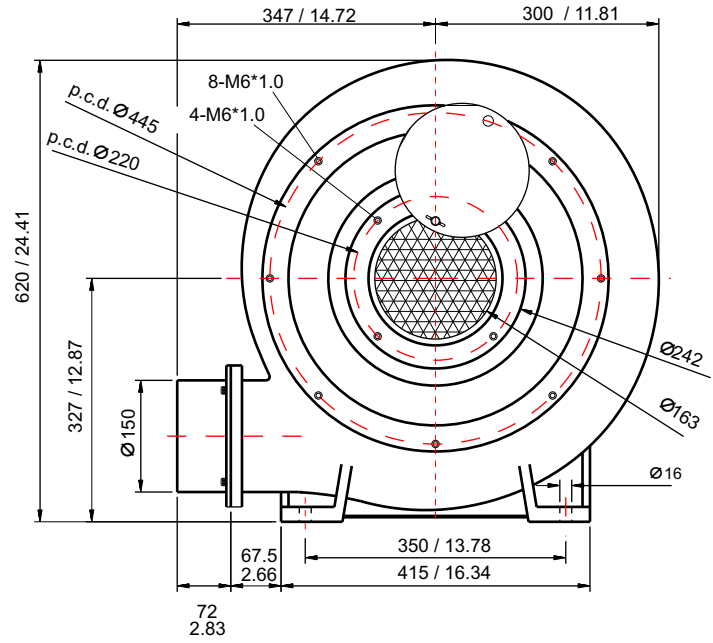
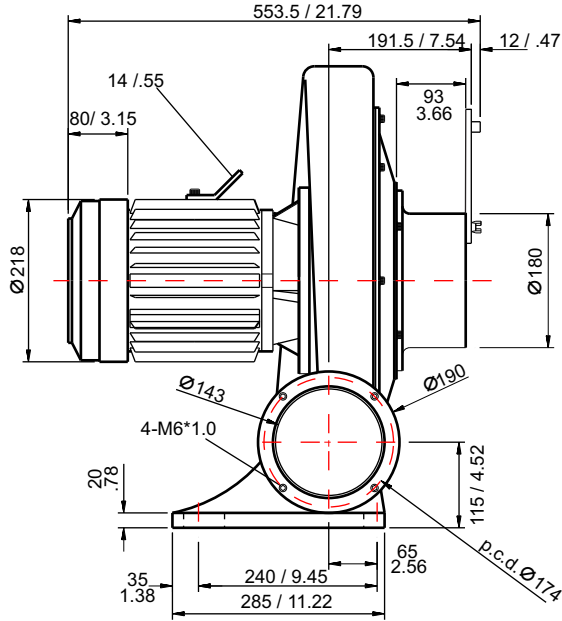


TB5 PRESSURE DATA CURVES ±10%

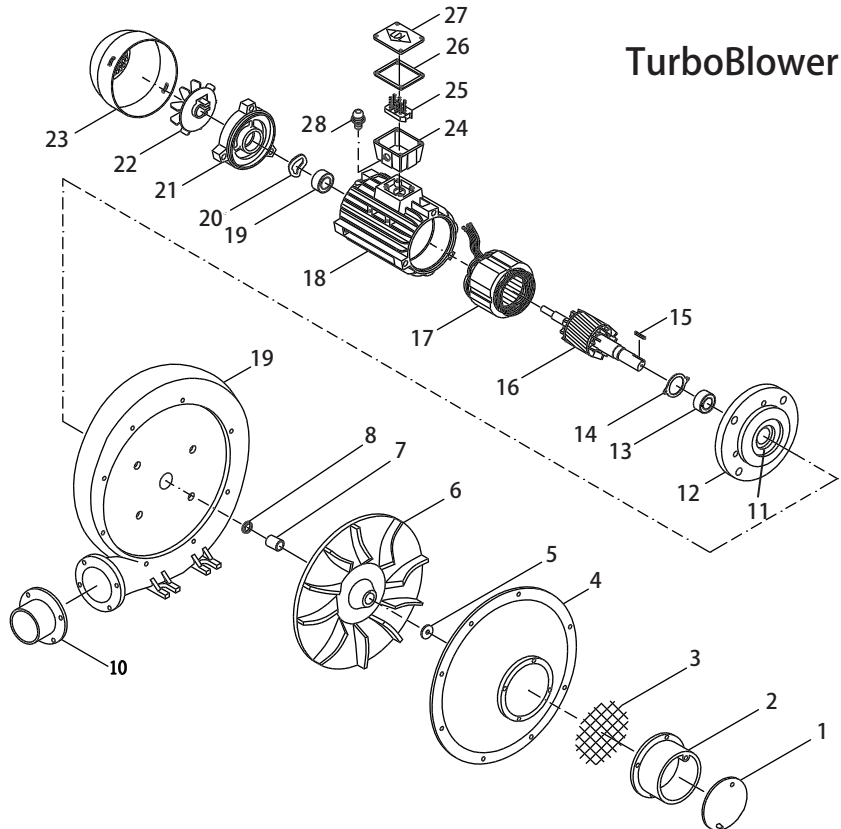




TB5 Series
Dimensions
mm/inch



Part No	Description
1	Flange Cover
2	Inlet Flange
3	Inlet Screen
4	Front Cover
5	Impeller Washer
6	Impeller
7	Sealing Sleeve
8	Sleeve
9	Housing
10	Outlet Flange
11	(2) Rubber Seals
12	Motor Joint Cover
13	Front Bearing
14	Inner Bearing Cover
15	Key
16	Rotor
17	Stator
18	Motor Housing
19	Back Bearing
20	Spring Washer
21	Motor Endbell
22	Motor Cooling Fan
23	Cooling Fan Cover
24	Terminal Box
25	Terminal Block
26	Terminal Box Seal
27	Terminal Box Cover
28	Power Cable Connector



TurboBlower