



Model	Voltage	Hz	HP	kW	SCFM	Pressure		Vacuum		Noise Level	Net Weight		*Percent	
						mbar	"H2O	mbar	"H2O		kg	lbs	Eff	Pf
RBH4-2-2	2	60	2	1.5	155	179	72	194	78	73 db(A)	22	48	NR	NR
RBH4-2-3	3	50		1.3	127	179	72	194	78	70 db(A)	22	48	84.4	81.78
RBH4-205-2	2	60	2.5	1.9	155	222	89	212	85	73 db(A)	23	51	NR	NR
RBH4-205-3	3	50		1.75	127	222	89	217	87	70 db(A)	23	51	84.0	87.09
RBH4-305-3	3	60	3.5	2.6	155	300	120	253	102	74 db(A)	26	64	85.5	90.46
		50		2.2	127	275	115	253	110	70 db(A)	30	67	NR	NR

Refer to curves below for detailed performance data. Performance data and product specifications are subject to change without prior notice. Actual performance may vary by ±10%. Eff = Efficiency Pf = Power Factor NA = Not Applicable *Efficiency and power factor only applies to 3/60/460 models NR= Not required

NEW STANDARD FEATURES ie3 & DOE EISA

Each All-Star blower is now delivering High Efficiency Performance without increased cost or extended deliveries. **How and Why?**



EC ie3 and DOE EISA regulations allow exceptions in their harmonized efficiency standards for certain types of motors. All-Star motors meet the Definite Purpose Partial Motors exceptions, therefore All-Star motors are exempt to these two regulations.

Secondly, All-Star is the only blower company to manufacture their own motors in-house. All-Star three phase motors from 1 to 30 horsepower have been redesigned to high efficiency without increasing your price.

Beside the high efficiency performance, All-Star motors provide major features that extend the life and service above all of our competitors. For example, All-Star motors include Class H motor insulation rated 365°F; blower end bearing lubrication is rated 536°F; and the internal seal is rated 500°F - all standard - and without added cost.



Registered and approved by one or more of these standards agency



For more information, visit All-Star at www.all-star-usa.com

Note: To obtain warranty protection, a properly set relief valve and an air filter must be installed.

Features

- IP 54 TEFC 2 pole squirrel cage ac motor
- 40 Deg C ambient
- Class H insulation 1.15 service factor
- Performance tested ANSI/AMCA210-85
- Quite Duty - below OSHA sound level
- High Efficiency Design

Voltage

- 1 = 1/60/115/230 & 1/50/220
- 2 = 1/60/50/230
- 3 = 3/60/208-230/460 3/50/220/380
- 5 = 3/60/575 available from stock without additional cost

Recommended Accessories

Relief Valve

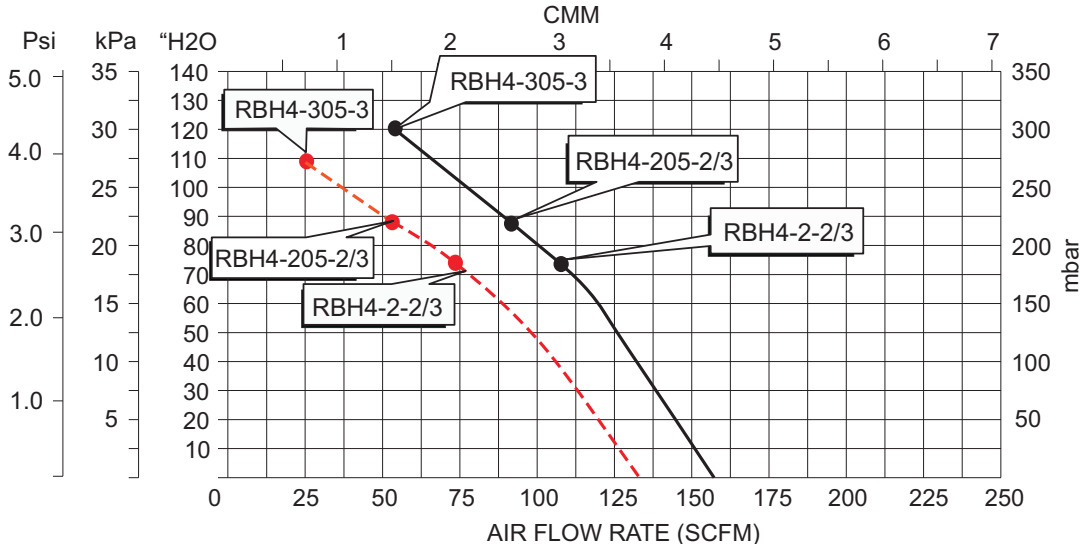
- Pressure RVA-01
- Vacuum RVA-01

Filter

- Pressure F31P-200
- Vacuum CSL 849-200HC

PRESSURE DATA CURVES ±10%

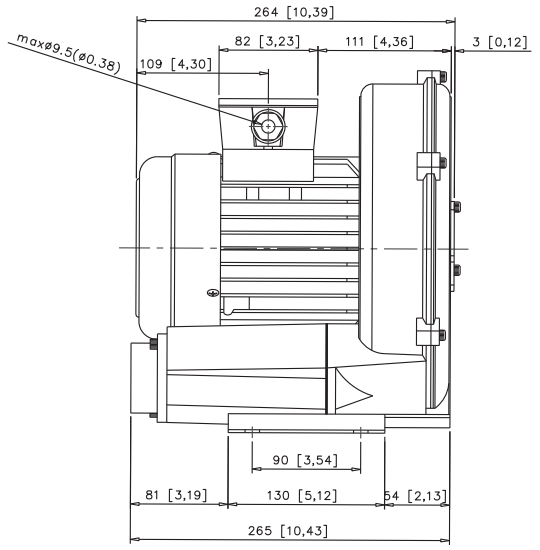
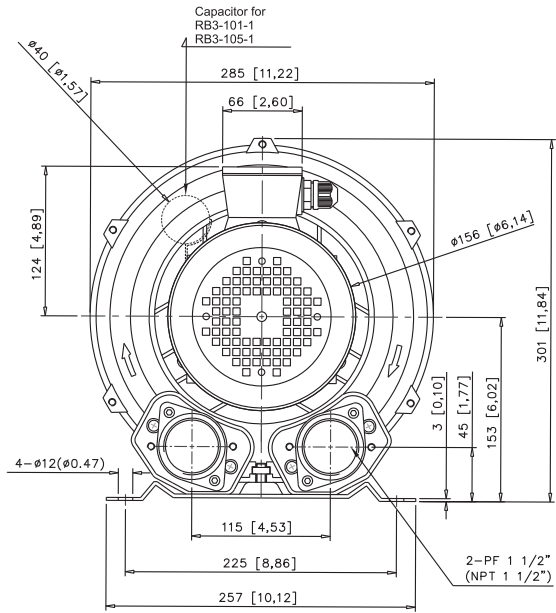
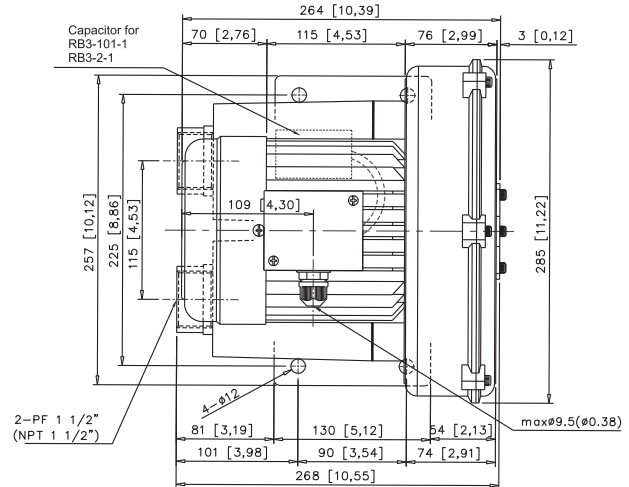
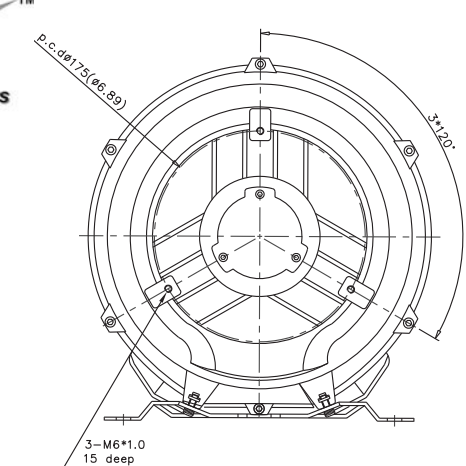
[See reverse side for Vacuum Curves]



RBH4-2-2/3

RBH4-205-2/3

RBH4-305-3



VACUUM DATA CURVES ± 10%

