



Model	Input		Max Pressure			Max Vacuum			Net Weight		
	RPM	SCFM	BHP	mbar	"H2O	BHP	mbar	"H2O	Noise Level	kg	lbs
RBB-22	2500	490	34	600	240	21	11	150	84 db(A)		
	2850	550	38	680	273	26	13.2	180	87 db(A)		
	3500	710	41	680	273	39	16.5	225	92 db(A)		
	4000	780	51	680	273	44	19.4	265	94 db(A)		
	4500	875	60	680	273	n/a	n/a	n/a	97 db(A)		

\*Refer to curves below for detailed performance data. Data subject to change without notice. Actual performance may vary by ±10%. For BHP (brake HP) details, visit [www.all-star-usa.com](http://www.all-star-usa.com) or contact All-Star Products.

**STANDARD FEATURES**

- Housing - Aluminum
- Impeller - Aluminum, dynamically balanced
- Direct drive or V-belt input
- Quiet operation
- Inlet & outlet silencers included
- Regreasable bearings
- Pressure intake filter as standard
- Intake pressure gauge as standard

**AVAILABLE AS**

- **Bare Blower**
- **Direct Connected Package**  
Includes ac motor, coupling, coupling guard mounted and assembled onto a heavy duty steel base plate
- **V-Belted Package**  
Includes ac motor, sheaves, v-belts, belt guard, slide base mounted and assembled onto a heavy duty steel base plate



Direct Connected Package

**TECHNICAL DATA**

[Available online [www.all-star-usa.com](http://www.all-star-usa.com)]

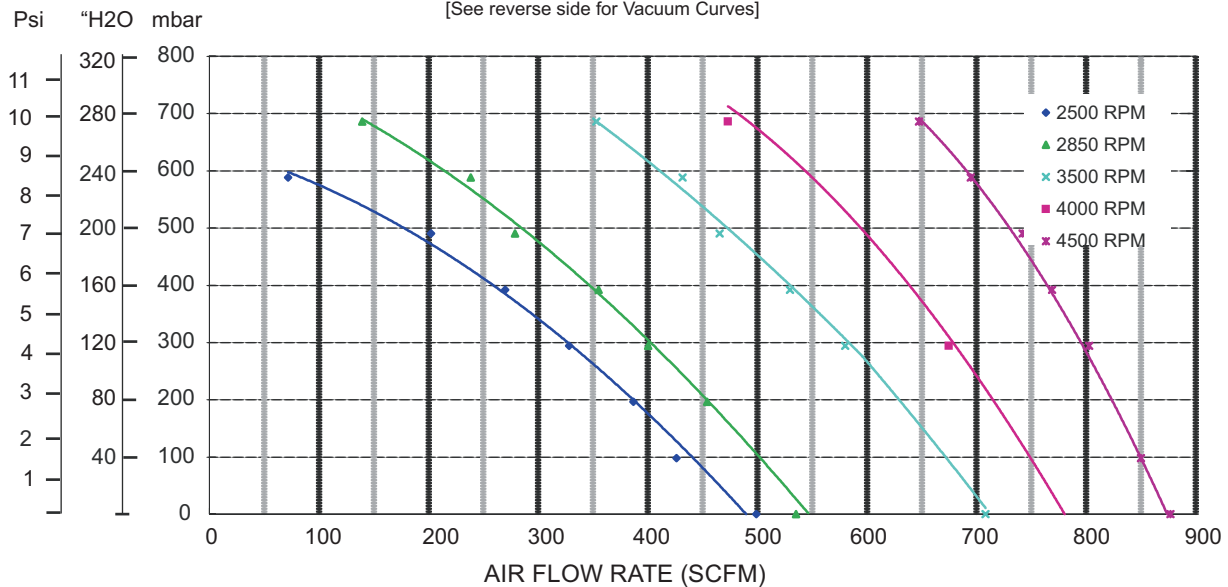
- Performance Temperature Rise Curves
- AutoCad files
- Parts List
- Full load amperage



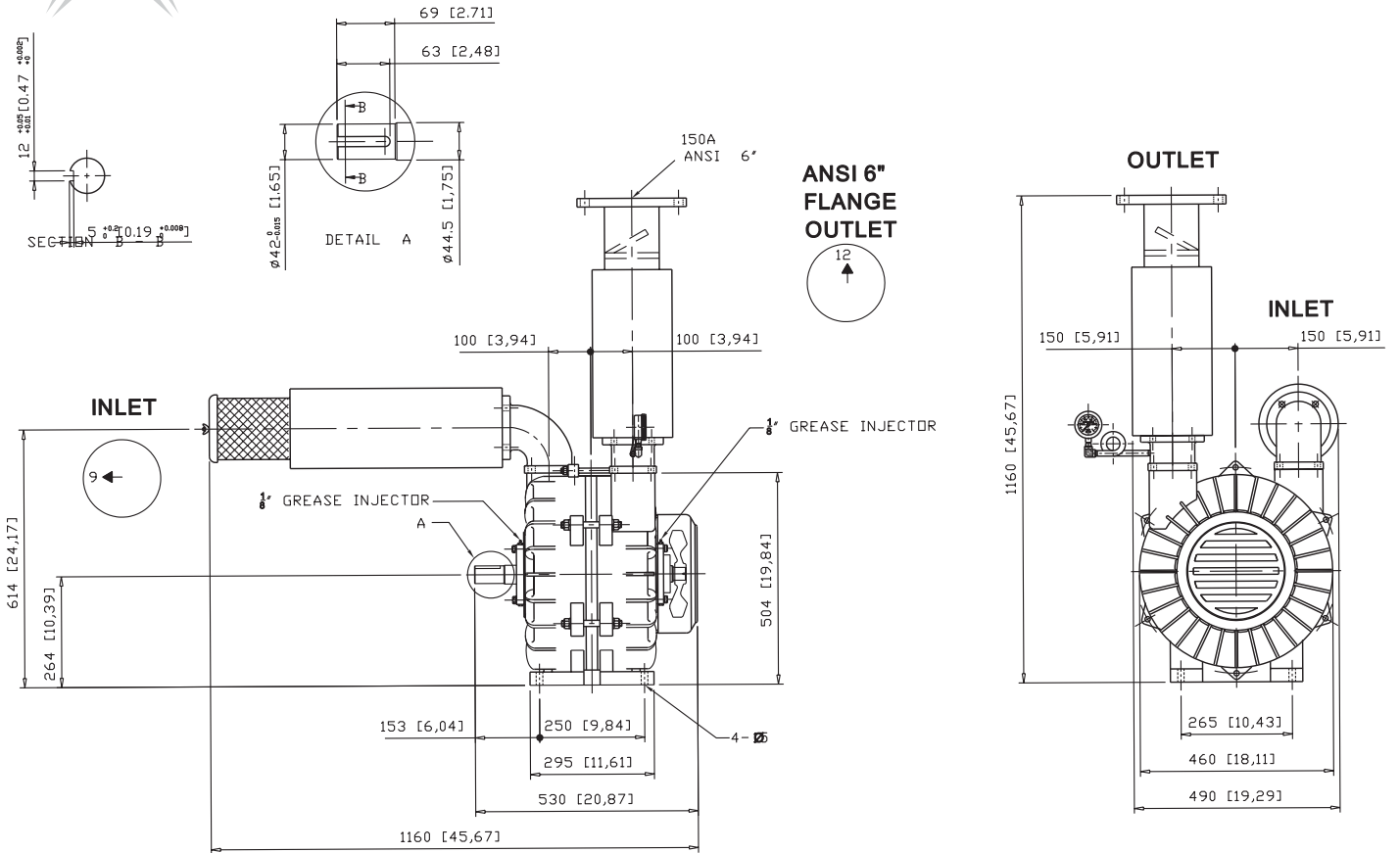
RoHS Compliant

**PRESSURE DATA CURVES ±10%**

[See reverse side for Vacuum Curves]



New page December 30, 2006 RBB-22 Series  
Data subject to change without notice.



VACUUM DATA CURVES

