



Model	RPM	Hz	HP	kW	SCFM	Pressure		Vacuum		Noise Level	Net Weight	
						mbar	"H2O	mbar	"H2O		kg	lbs
RB9	3450	60	15	11	850	190	76	190	76	81 db(A)		
	2850	50	10	7	700	202	81	209	80	76 db(A)		
RB9	3450	60	20	15	850	294	118	294	118	81 db(A)		
	2850	50	13	10	700	300	120	300	120	76 db(A)		
RB9	3450	60	30	22	850	430	173	375	151	81 db(A)		
	2850	50	20	15	700	445	179	350	141	76 db(A)		

*Refer to curves below for detailed performance data. Data subject to change without notice. Actual performance may vary by ±10%.

STANDARD FEATURES

- Housing - Aluminum
- Impeller - Aluminum, dynamically balanced
- Direct drive impeller
- Shock absorbing mounting base
- Quiet operation - below OSHA limits
- Inlet & outlet silencers included
- Regreasable bearing
- 40 Deg C ambient
- Performance tested ANSI/AMCA210-85

NOTE: The RB9 replaces the HB-901

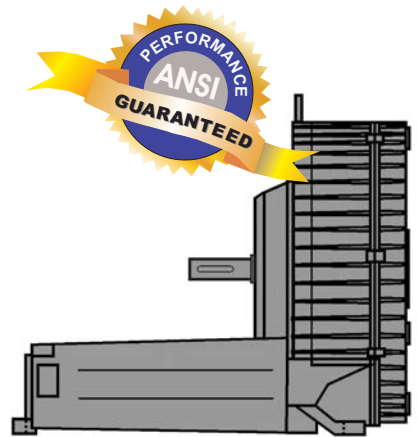
REQUIRED ACCESSORIES

Note: To obtain warranty coverage a relief valve and filter are required.

- Pressure Relief Valve RV-02
- Pressure Relief Valve RVA-02

- Vacuum Relief Valve RV-02
- Vacuum Relief Valve RVA-02

- Pressure Intake Air Filter F245P-400
- Vacuum Air Filter CSL-335P-400



TECHNICAL DATA

[Available online www.all-star-usa.com]

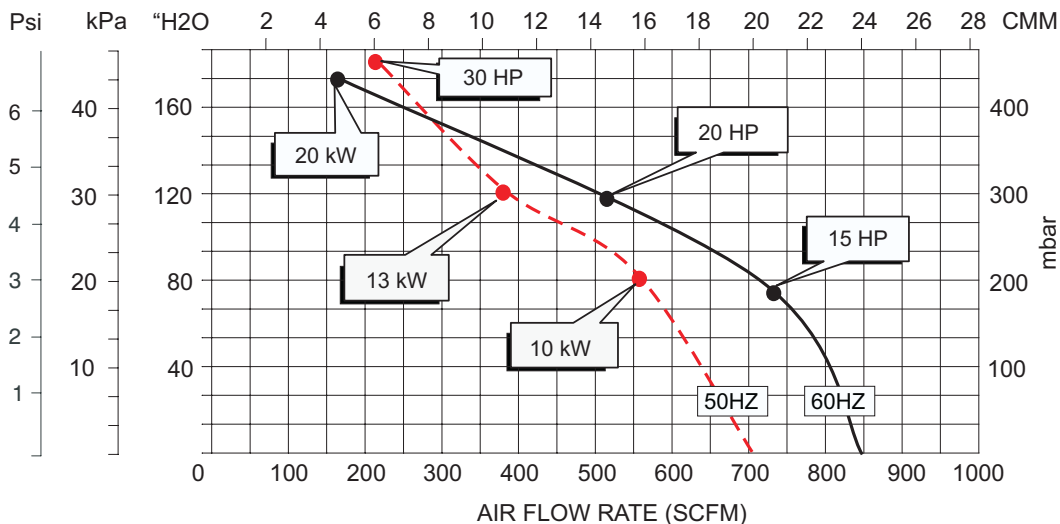
- Performance Temperature Rise Curves
- AutoCad files
- Parts List

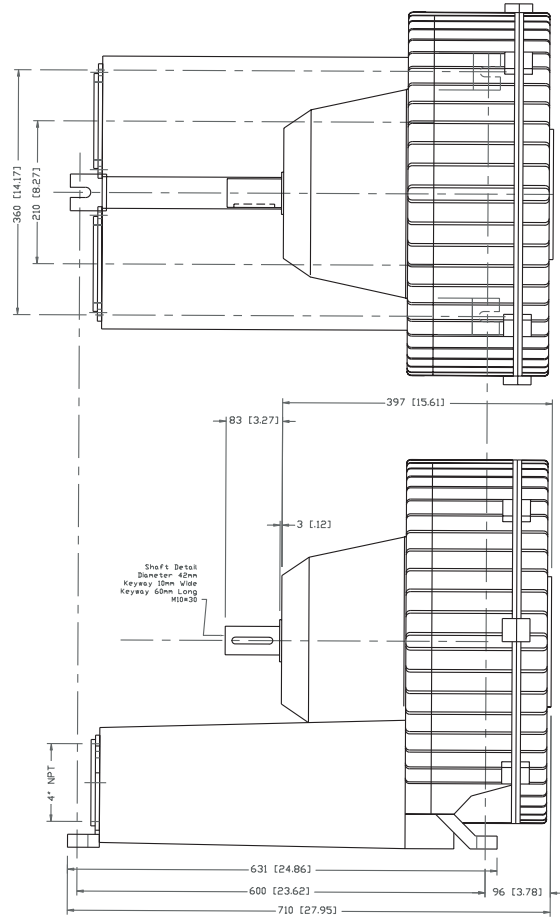
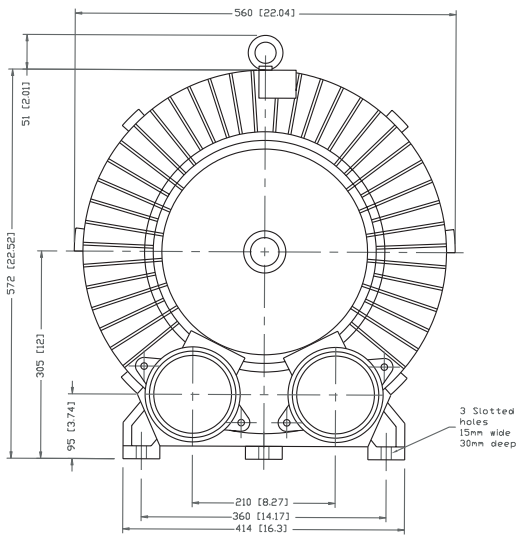


RoHS Compliant

PRESSURE DATA CURVES ±10%

[See reverse side for Vacuum Curves]





VACUUM DATA CURVE

