



Model	Voltage	Hz	HP	kW	SCFM	Pressure		Vacuum		Noise Level	Net Weight	
						mbar	"H2O	mbar	"H2O		kg	lbs
RB6-305-2	2	60	3.5	2.6	228	222	89	219	88	77 db(A)	33	73
RB6-305-3	3	50		2.2	190	228	91	222	89	72 db(A)	33	73
RB6-5-2	2	60	5	3.7	228	296	119	279	112	77 db(A)	36	79
RB6-5-3	3	50		3.4	190	290	116	257	104	72 db(A)	36	79
RB6-601-3	3	60	6.1	4.6	228	321	129	312	125	77 db(A)	38	84
		50		4	190	326	131	270	108	72 db(A)	38	84

\*Refer to curves below for detailed performance data. Data subject to change without notice. Actual performance may vary by ±10%.

**STANDARD FEATURES**

- Housing - Aluminum
- Impeller - Aluminum, dynamically balanced
- Direct drive impeller
- Shock absorbing mounting base
- Quiet operation - below OSHA limits
- Inlet & outlet silencers included
- Motor shaft seal standard
- IP 54 TEFC 2 pole squirrel cage ac motor
- 40 Deg C ambient
- Class H insulation 1.15 service factor
- Performance tested ANSI/AMCA210-85
- Voltage
  - 1 = 1/60/50/115/230
  - 2 = 1/60/50/230
  - 3 = 3/60/208-230/460 3/50/220/380

**3/60/208-230/460 & 3/50/220/380**

RB6-305-3 replaces HB-529  
 RB6-5-3 replaces HB-629  
 RB6-601-3 replaces HB-639

**1/60/50/115/230**

RB6-305-2 replaces HB-529-1  
 RB6-5-2 replaces HB-629-1

**REQUIRED ACCESSORIES**

Note: To obtain warranty coverage a relief valve and filter are required.

Pressure Relief Valve RV-01  
 Pressure Relief Valve RVA-01

Vacuum Relief Valve RV-01  
 Vacuum Relief Valve RVA-01

Pressure Intake Air Filter F231P-200  
 Vacuum Air Filter CSL-851-200HC

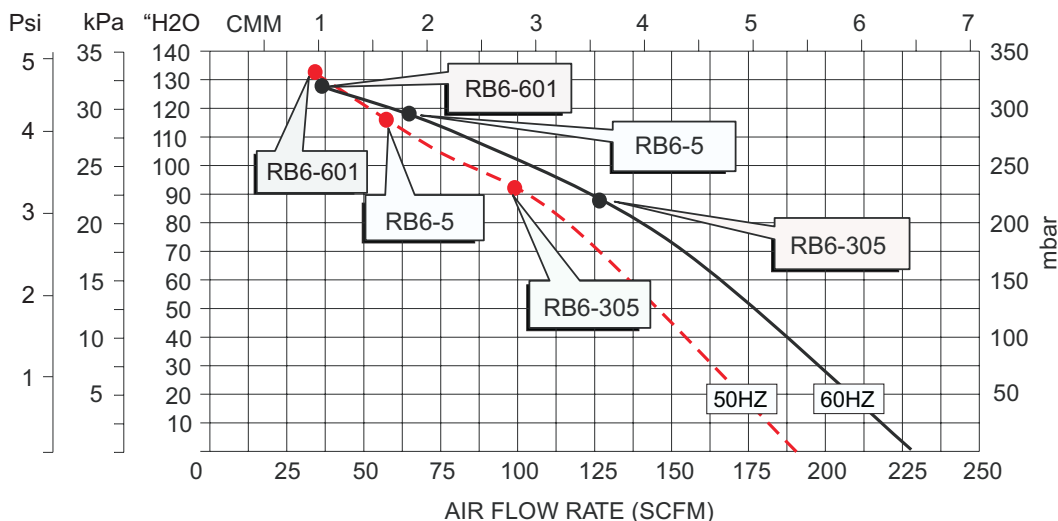


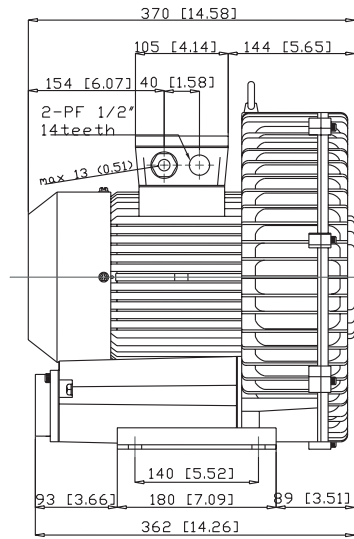
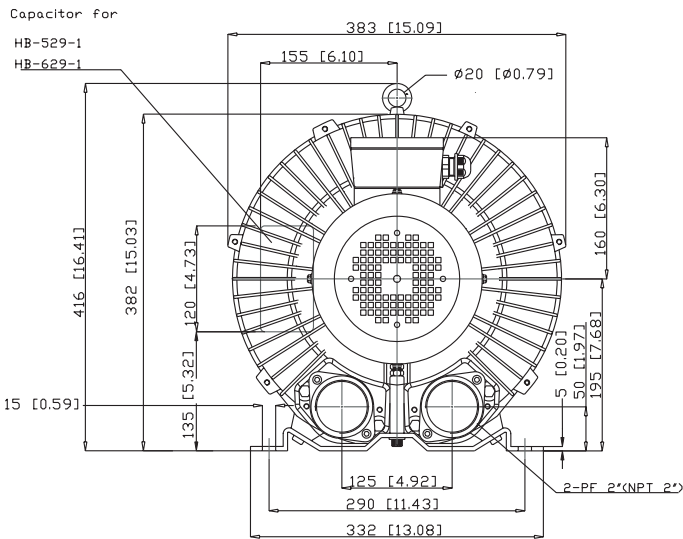
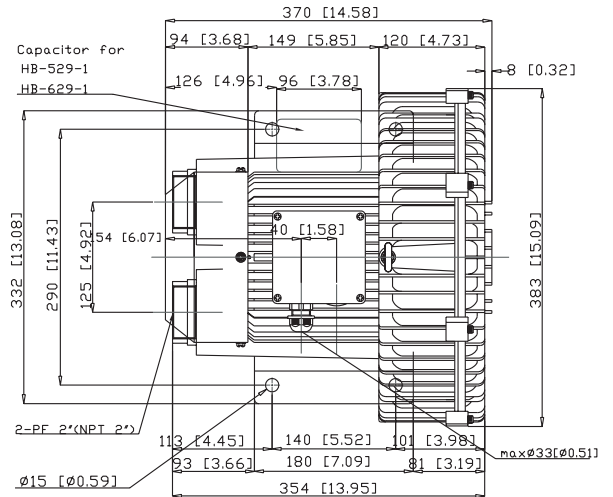
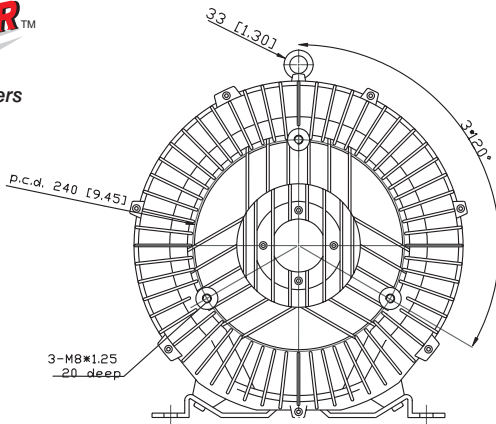
**TECHNICAL DATA**

- [Available online [www.all-star-usa.com](http://www.all-star-usa.com)]
- Performance Temperature Rise Curves
  - AutoCad files
  - Parts List
  - Full amperage

**PRESSURE DATA CURVES ±10%**

[See reverse side for Vacuum Curves]





VACUUM DATA CURVES ±10%

