



Model	RPM	Hz	HP	kW	SCFM	Pressure		Vacuum		Noise Level	Net Weight	
						mbar	"H2O	mbar	"H2O		kg	lbs
RB6	3450	60	3.5	2.6	228	222	89	219	88	77 db(A)		
	2950	50		2.2	190	228	91	222	89	72 db(A)		
RB6	3450	60	5	3.7	228	296	119	279	112	77 db(A)		
	2950	50		3.4	190	290	116	257	104	72 db(A)		
RB6	3450	60	6.1	4.6	228	321	129	312	125	77 db(A)		
	2950	50		4	190	326	131	270	108	72 db(A)		

*Refer to curves below for detailed performance data. Data subject to change without notice. Actual performance may vary by ±10%.

STANDARD FEATURES

- Housing - Aluminum
- Impeller - Aluminum, dynamically balanced
- Direct drive impeller
- Shock absorbing mounting base
- Quiet operation - below OSHA limits
- Inlet & outlet silencers included
- Regreasable bearing
- 40 Deg C ambient
- Performance tested ANSI/AMCA210-85

NOTE: The RB6 replaces the HB-601

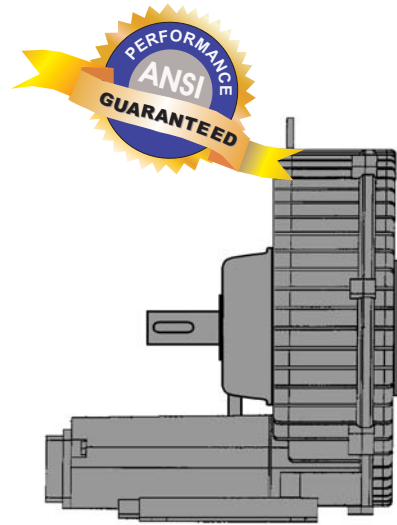
REQUIRED ACCESSORIES

Note: To obtain warranty coverage a relief valve and filter are required.

Pressure Relief Valve RV-01
Pressure Relief Valve RVA-01

Vacuum Relief Valve RV-01
Vacuum Relief Valve RVA-01

Pressure Intake Air Filter F231P-200
Vacuum Air Filter CSL-851-200HC



TECHNICAL DATA

[Available online www.all-star-usa.com]

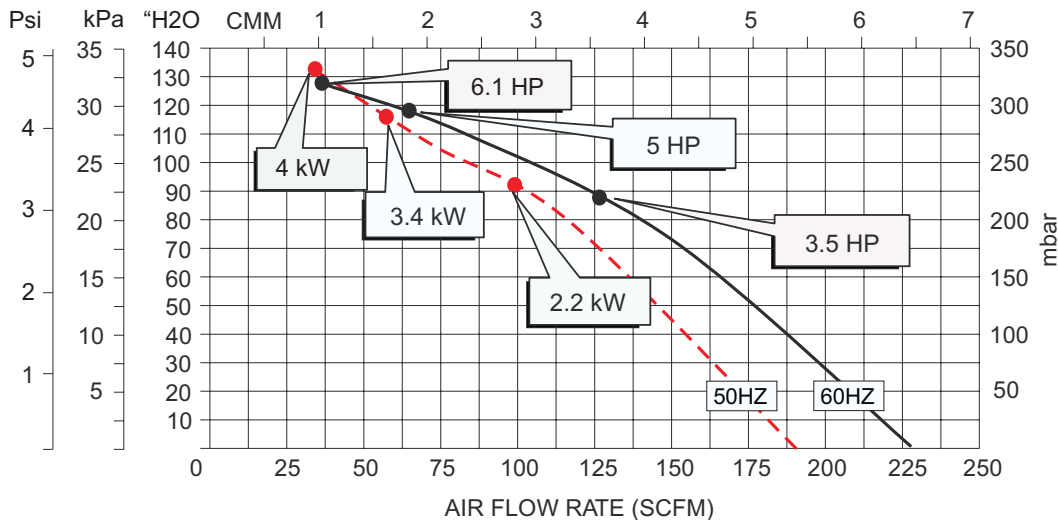
- Performance Temperature Rise Curves
- AutoCad files
- Parts List

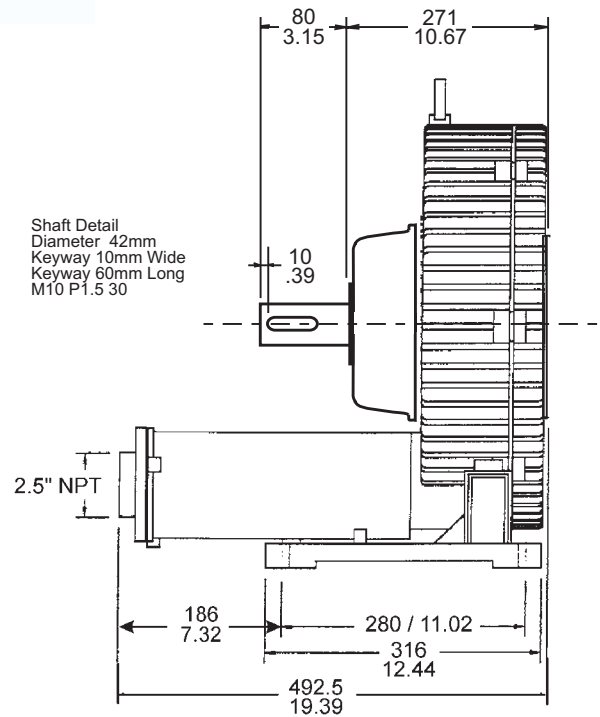
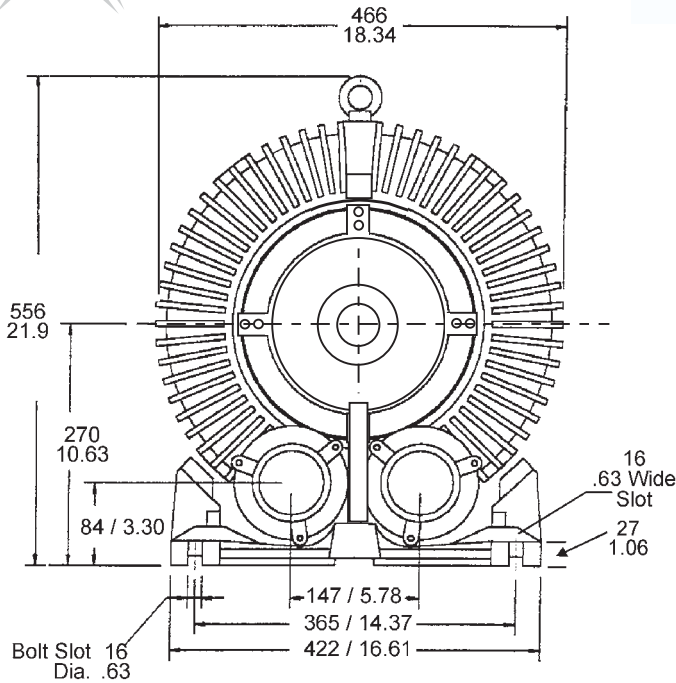


RoHS Compliant

PRESSURE DATA CURVES ±10%

[See reverse side for Vacuum Curves]





VACUUM DATA CURVES ±10%

