



Model	RPM	Hz	HP	kW	SCFM	Pressure		Vacuum		Noise Level	Net Weight	
						mbar	"H2O	mbar	"H2O		kg	lbs
RB4	3450	60	1.5	1.1	155	147	59	145	58	73 db(A)		
	2850	50	.9	.9	127	137	55	145	58	70 db(A)		
RB4	3450	60	2	1.5	155	179	72	194	78	73 db(A)		
	2850	50	1.3	1.3	127	179	72	194	78	70 db(A)		
RB4	3450	60	2.5	1.9	155	222	89	212	85	73 db(A)		
	2850	50	1.75	1.75	127	222	89	217	87	70 db(A)		
RB4	3450	60	3.5	2.6	155	314	126	255	102	73 db(A)		
	2850	50	2.2	2.2	127	274	110	230	88	70 DB(A)		

\*Refer to curves below for detailed performance data. Data subject to change without notice. Actual performance may vary by ±10%.

**STANDARD FEATURES**

- Housing - Aluminum
- Impeller - Aluminum, dynamically balanced
- Direct drive impeller
- Shock absorbing mounting base
- Quiet operation - below OSHA limits
- Inlet & outlet silencers included
- Regreasable bearing
- 40 Deg C ambient
- Performance tested ANSI/AMCA210-85

*Note: RB4 replaced the HB-401*

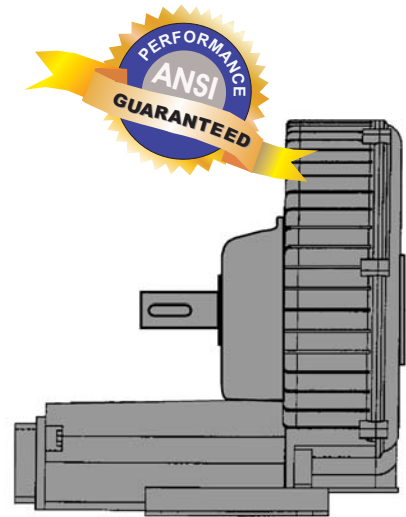
**REQUIRED ACCESSORIES**

NOTE: To obtain blower warranty a pressure relief valve and filter are

Pressure Relief Valve RV-01  
Pressure Relief Valve RVA-01

Vacuum Relief Valve RV-01  
Vacuum Relief Valve RVA-01

Pressure Intake Air Filter F31P-2C  
Vacuum Air Filter CSL-849-1150F



**TECHNICAL DATA**

[Available online [www.all-star-usa.com](http://www.all-star-usa.com)]

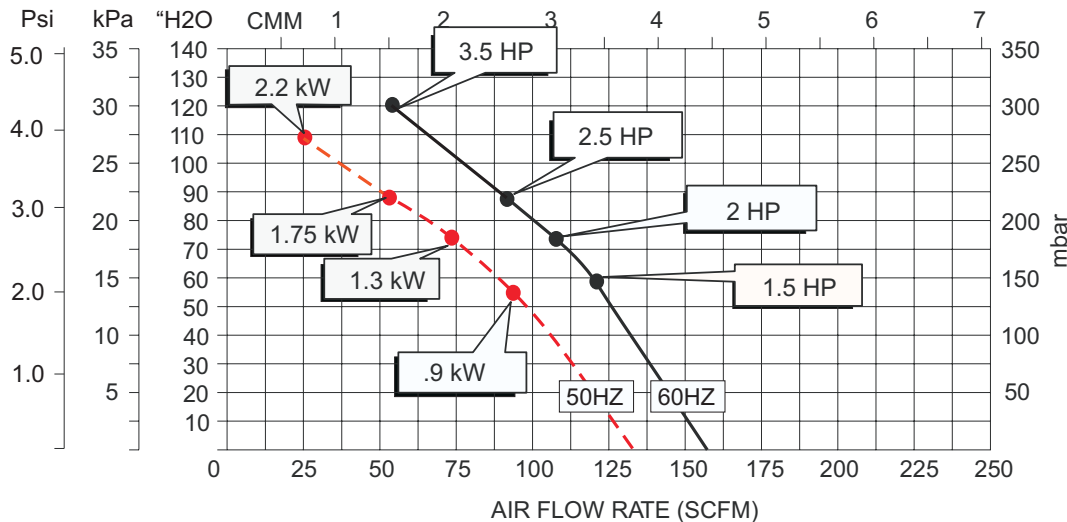
- Performance Temperature Rise Curves
- AutoCad files
- Parts List

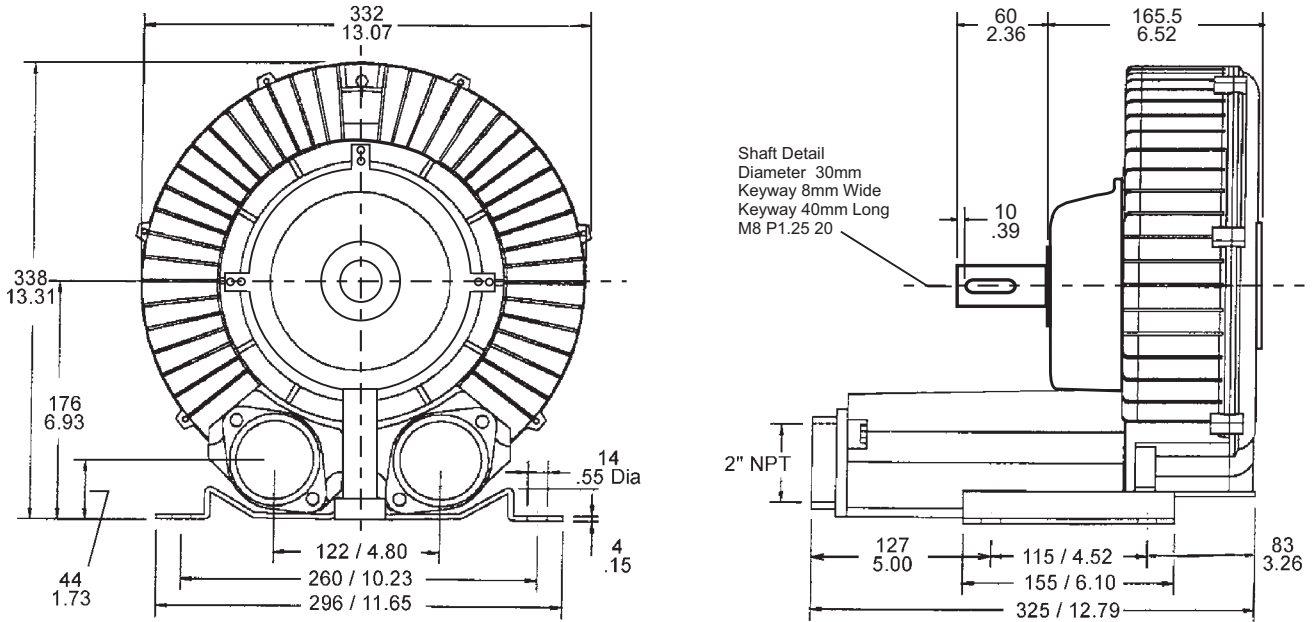


RoHS Compliant

**PRESSURE DATA CURVES ±10%**

[See reverse side for Vacuum Curves]





VACUUM DATA CURVES ± 10%

